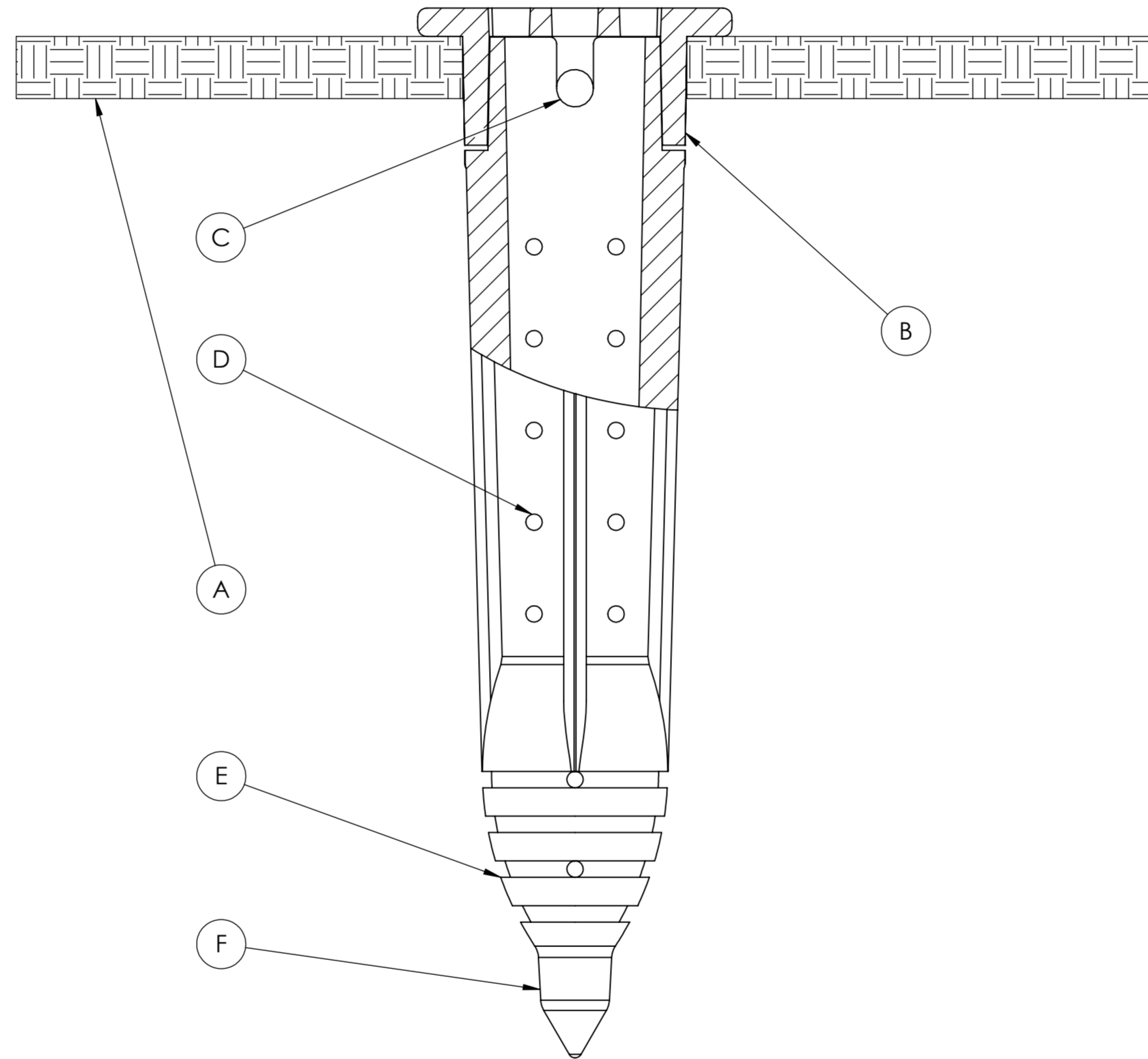


- A. MULCH
- B. PREFORATED CAP
- C. OPEN/SHUT 1/4' DRIPLINE PORT
- D. WATER OXYGEN FLOW PORTS
- E. TAPERED BULB WITH EMBEDDED WATER OXYGEN PORTS
- F. CLOSED BOTTOM TIP



www.TreeRootProducts.com

8.5" AND 4.5" ROOT FLOW
 SUB-SURFACE TARGET WATERING AND AERATION TUBE
 TREE ROOT PRODUCTS DETAIL

UNLESS OTHERWISE SPECIFIED: DIMENSIONS ARE IN MILLIMETERS		FINISH:		DEBURR AND BREAK SHARP EDGES		DO NOT SCALE DRAWING		REVISION	
SURFACE FINISH:									
TOLERANCES:									
LINEAR:									
ANGULAR:									
DRAWN: EJT		SIGNATURE:		DATE: 11/8/2016		TITLE: Root Flow Tube			
CHK'D:									
APPV'D:									
MFG:									
Q.A:						MATERIAL: PLASTIC		DWG. NO. Root Flow Tube A2	
						WEIGHT:		NOT TO SCALE SHEET 1 OF 1	